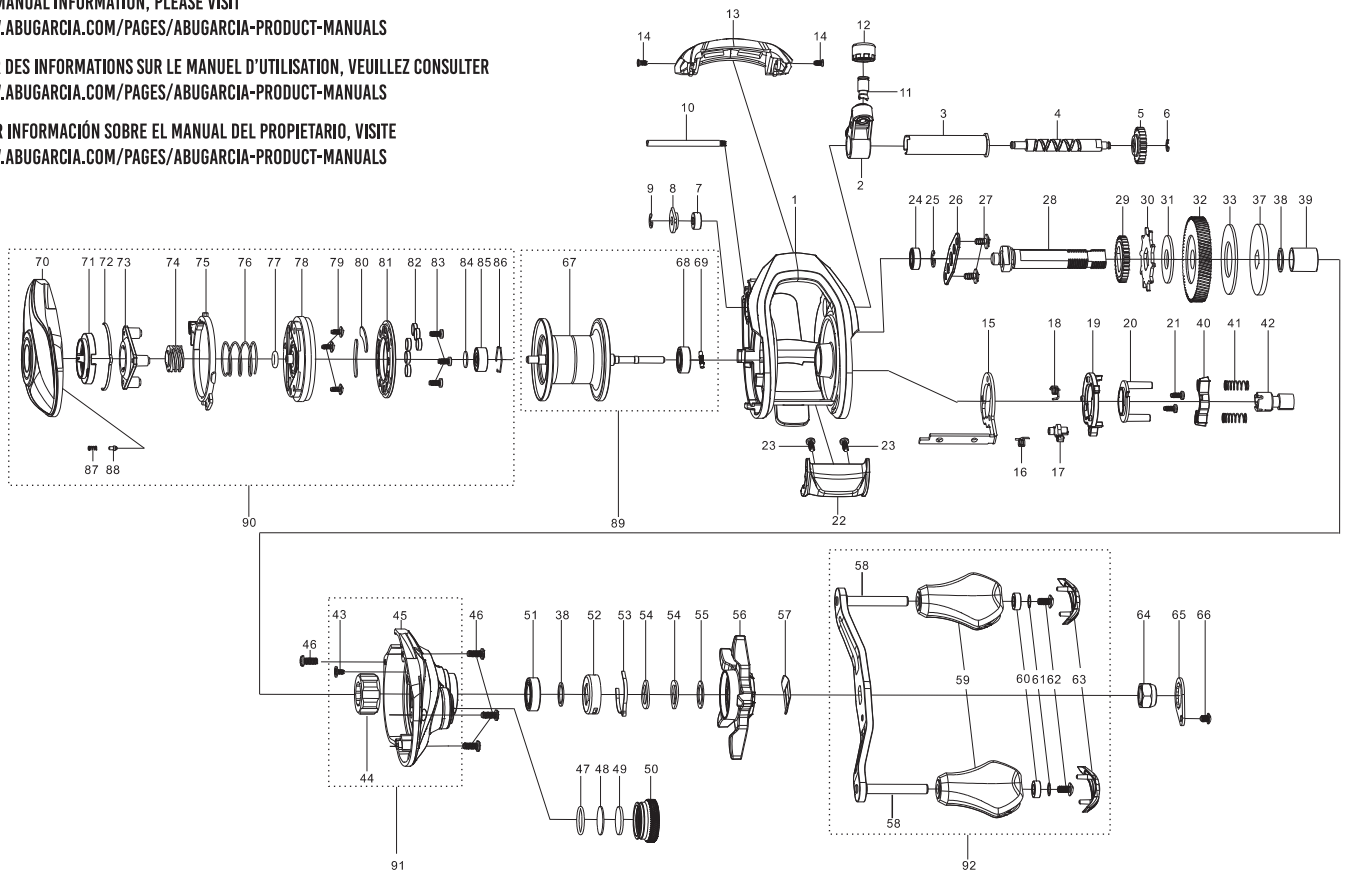


FOR OWNERS MANUAL INFORMATION, PLEASE VISIT
[HTTPS://WWW.ABUGARCIA.COM/PAGES/ABUGARCIA-PRODUCT-MANUALS](https://www.abugarcia.com/pages/abugarcia-product-manuals)

POUR OBTENIR DES INFORMATIONS SUR LE MANUEL D'UTILISATION, VEUILLEZ CONSULTER
[HTTPS://WWW.ABUGARCIA.COM/PAGES/ABUGARCIA-PRODUCT-MANUALS](https://www.abugarcia.com/pages/abugarcia-product-manuals)

PARA OBTENER INFORMACIÓN SOBRE EL MANUAL DEL PROPIETARIO, VISITE
[HTTPS://WWW.ABUGARCIA.COM/PAGES/ABUGARCIA-PRODUCT-MANUALS](https://www.abugarcia.com/pages/abugarcia-product-manuals)



Please specify reel model number and number in reel foot when ordering parts.

Vid beställning av reservdelar bör alltid rulltyp och nummerbeteckning under rullfoten anges

Ambassadeur Vengeance

31 00

1558026

34-13752-0

#	PART#	DESCRIPTION	#	PART#	DESCRIPTION	#	PART#	DESCRIPTION
1	1559123	FRAME	31	1559064	DRAG WASHER	64	1559137	HANDLE NUT
2	1559017	LINE GUIDE	32	1559132	MAIN GEAR	65	1559095	HANDLE NUT COVER
3	1559018	LEVEL WIND TUBE	33	1559066	DRAG WASHER	66	1559096	SCREW
4	1559039	WORM SHAFT	37	1559067	PRESSURE WASHER	67	1559097	SPOOL
5	1559040	WORM SHAFT GEAR	38	1559068	WASHER	68	1559098	BALL BEARING
6	1088657	E-RETAINER	39	1559069	IAR SLEEVE	69	1559099	SPOOL SHAFT PIN
7	1559041	WORM SHAFT BUSHING	40	1559133	YOKE	70	1559138	PALM SIDE PLATE
8	1559042	WORM SHAFT PIN HOLDER	41	1559071	SPRING	71	1559139	MAG DIAL
9	1308797	RETAINER	42	1559134	PINION	72	1559102	CLICK SPRING
10	1559043	LINE GUIDE SHAFT	43	1559073	SCREW	73	1559103	MAGNET BRACKET
11	1559044	PAWL	44	1559074	ONE WAY CLUTCH	74	1559140	SLIDE CAM
12	1559045	LINE GUIDE NUT	45	1559135	GEAR SIDE PLATE	75	1559141	DIAL PLATE
13	1559124	FRONT COVER	46	1559076	SCREW	76	1559106	SPRING
14	1559047	SCREW	47	1559077	O-RING	77	1559107	O-RING
15	1559125	BUTTON TAB	48	1559078	FRICTION WASHER	78	1559142	BEARING HOUSING
16	1559126	KICK LEVER SPRING	49	1559079	RUBBER WASHER	79	1559109	SCREW
17	1559127	KICK LEVER	50	1559080	BRAKE KNOB	80	1559110	MAGNET PLATE
18	1559128	CLUTCH SPRING	51	1559081	BALL BEARING	81	1559111	MAGNET HOLDER
19	1559129	LIFT CURVE	52	1559082	CLICK SPRING HOLDER	82	1559112	MAGNET
20	1559130	LIFT CURVE PLATE	53	1559083	CLICK SPRING	83	1559113	SCREW
21	1559054	SCREW	54	1559084	SPRING WASHER	84	1559114	FRICTION WASHER
22	1559055	THUMB BAR	55	1559085	WASHER	85	1559115	BALL BEARING
23	1559056	THUMB BAR SCREW	56	1559136	STAR WHEEL	86	1559116	RING
24	1559057	BALL BEARING	57	1559087	WASHER	87	1559117	SPRING
25	1559058	RETAINER	58	1559088	HANDLE	88	1559118	CLICK PIN
26	1559059	MAIN GEAR SHAFT PLATE	59	1559089	HANDLE KNOB	89	1559121	SPOOL COMPLETE
27	1559060	SCREW	60	1559090	BUSHING	90	1559144	PALM SIDE COMPLETE
28	1559131	MAIN GEAR SHAFT	61	1559091	WASHER	91	1559143	GEAR SIDE COMPLET
29	1559062	LEVEL WIND GEAR	62	1559092	SCREW	92	1559120	HANDLE COMPLETE
30	1559063	RATCHET	63	1559093	HANDLE KNOB CAP			