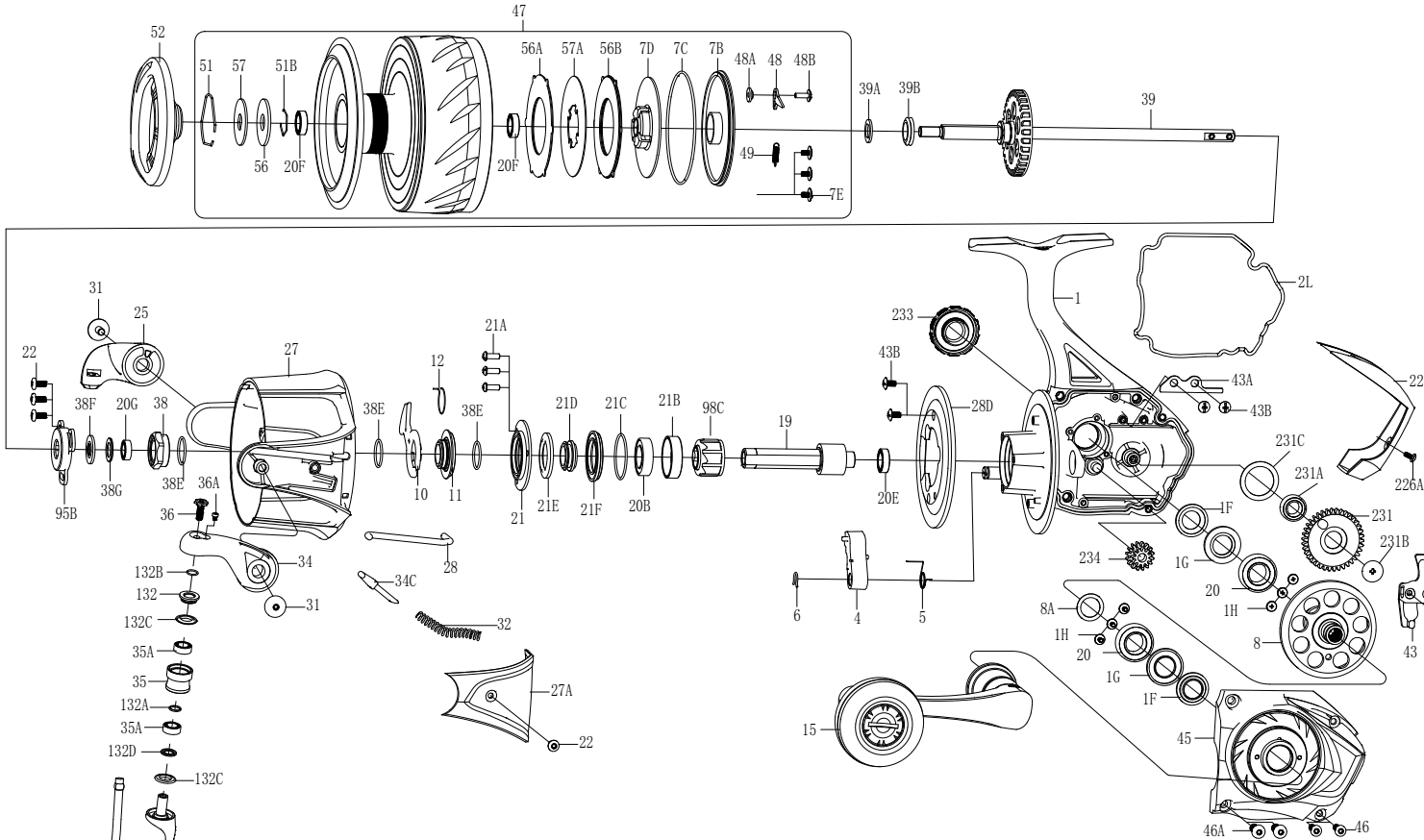




PARTS LIST FOR MODEL ATH10500



KEY NO.	PART NO.	PENN STYLE NO.	DESCRIPTION
21F	1577958	21F-ATH10500	Bearing Cover
22	1577821	22-ATH7500	Bail Pivot Cover Screw (4 req)
24	1577959	24-ATH10500	Bail Wire
25	1577960	25-ATH10500	Bail Holder
27	1577961	27-ATH10500	Rotor
27A	1577962	27A-ATH10500	Bail Pivot Cover
28	1577963	28-ATH10500	Trip Lever
28D	1489352	28D-SSVI9500	Rotor Brake
31	1577827	31-ATH7500	Bail Arm Screw (2 req)
32	1577964	32-ATH10500	Bail Spring
34	1577828	34-ATH7500	Bail Arm
34C	1489313	34C-SSVI7500	Pivot Arm
35	1577965	35-ATH10500	Line Roller
35A	1577830	35A-ATH7500	Line Roller Bearing (2 req)
36	1577831	36-ATH7500	Bail Stud Screw
36A	1577832	36A-ATH7500	Bail Stud Screw
38	1577833	38-ATH7500	Rotor Nut
38E	1489317	38E-SSVI7500	Rotor O-Ring(3 req)
38F	1489318	38F-SSVI7500	Main Shaft Seal Ring
38G	1577835	38G-ATH7500	WASHER
39	1577966	39-ATH10500	Main Shaft Assembly
39A	1577837	39A-ATH7500	Thrust Washer
39B	1577838	39B-ATH7500	Spool Seal ring
43	1577967	43-ATH10500	Crosswind Block
43A	1577968	43A-ATH10500	Crosswind Block Plate
43B	1489213	43B-SSVI3500	Plate Screw (4 req)
44	1489361	44-SSVI9500	Crosswind Block Screw (2 req)
45	1577969	45-ATH10500	Housing Cover Assembly
46	1577842	46-ATH7500	Housing Cover Screw (2 req)
46A	1577970	46A-ATH10500	Housing Cover Screw (2 req)
47	1577971	47-ATH10500	Spool Assembly
48	1577844	48-ATH7500	Click Tongue
48A	1214226	48A-3000SG	Click Tongue Washer
48B	1577845	48B-ATH7500	Spool Click Screw
49	1211627	49-5000SG	Click Tongue Spring
51	1308112	51-CFT5000	Drag Retaining Ring
51B	1577846	51B-ATH7500	Drag Retaining Ring
52	1577972	52-ATH10500	Drag Knob Assembly
56	1577848	56-ATH7500	Drag Washer
56A	1577973	56A-ATH10500	Drag Washer
56B	1577974	56B-ATH10500	Drag Washer
57	1489330	57-SSVI7500	Keyed Washer
57A	1577975	57A-ATH10500	Keyed Washer
95B	1577852	95B -ATH7500	Rotor Locking Plate
98C	1489332	98C-SSVI7500	Clutch/Sleeve Assembly
132	1577976	132-ATH10500	Roller Washer
132A	1577854	132A-ATH7500	Line Roller Bushing
132B	1577855	132B-ATH7500	O-Ring
132C	1577856	132C-ATH7500	Seal ring (2 req)
132D	1577977	132D-ATH10500	Roller Washer
226	1577978	226-ATH10500	Rear Cover
226A	1577858	226A-ATH7500	Rear Cover Screw
231	1577979	231-ATH10500	Crosswind Gear Assembly
231A	1577861	231C-ATH7500	Crosswind Gear Bearing
231B	1489372	231B-SSVI9500	Crosswind Gear Screw
231C	1577980	231C-ATH10500	Crosswind Gear Washer
233	1577981	233-ATH10500	Bearing Cover Assembly
234	1577982	234-ATH10500	Transfer Gear

KEY NO.	PART NO.	PENN STYLE NO.	DESCRIPTION	KEY NO.	PART NO.	PENN STYLE NO.	DESCRIPTION
1	1577946	1-ATH10500	Housing Assembly	11	1577951	11-ATH10500	Bushing
1H	1489176	1H-SSVI3500	Bearing Screw (6 req)	12	1489296	12-SSVI7500	Bushing Spring
1G	1577800	1G-ATH7500	Seal Plate(2 req)	15	1577952	15-ATH10500	Handle Assembly
1F	1489289	1F-SSVI7500	Main Gear Seal Ring(2 req)	19	1577953	19-ATH10500	Pinion Gear
2L	1577947	2L-ATH10500	Housing Seal ring	20	1577810	20-ATH7500	Ball Bearing (2 req)
4	1489377	4-SSVI9500	A/R Dog	20B	1577811	20B-ATH7500	Ball Bearing
5	1489378	5-SSVI9500	Dog Spring	20E	1577954	20E-ATH10500	Ball Bearing
6	1489379	6-SSVI9500	Retaining Clip	20F	1577813	20F-ATH7500	Ball Bearing (2req)
7B	1577948	7B-ATH10500	Drag Washer Base	20G	1577814	20G-ATH7500	Ball Bearing
7C	1577803	7C-ATH7500	Spool Seal Ring	21	1577955	21-ATH10500	Bearing Retainer
7D	1577949	7D-ATH10500	Spool bottom cover	21A	1192645	21A-5000SG	Bearing Retainer Screw (3 req)
7E	1577805	7E-ATH7500	Screw(3 req)	21B	1577956	21B-ATH10500	Collar
8	1577950	8-ATH10500	Main Gear	21C	1489388	21C-SSVI9500	Bearing Retainer O-Ring
8A	1216652	8A-7000FRC	Shim	21D	1577957	21D-ATH10500	Seal Holder
10	1489381	10-SSVI9500	A/R Holder	21E	1577819	21E-ATH7500	Pinion Gear Seal

407-ATH10500 Rev. 0 30-11-2021

1563167