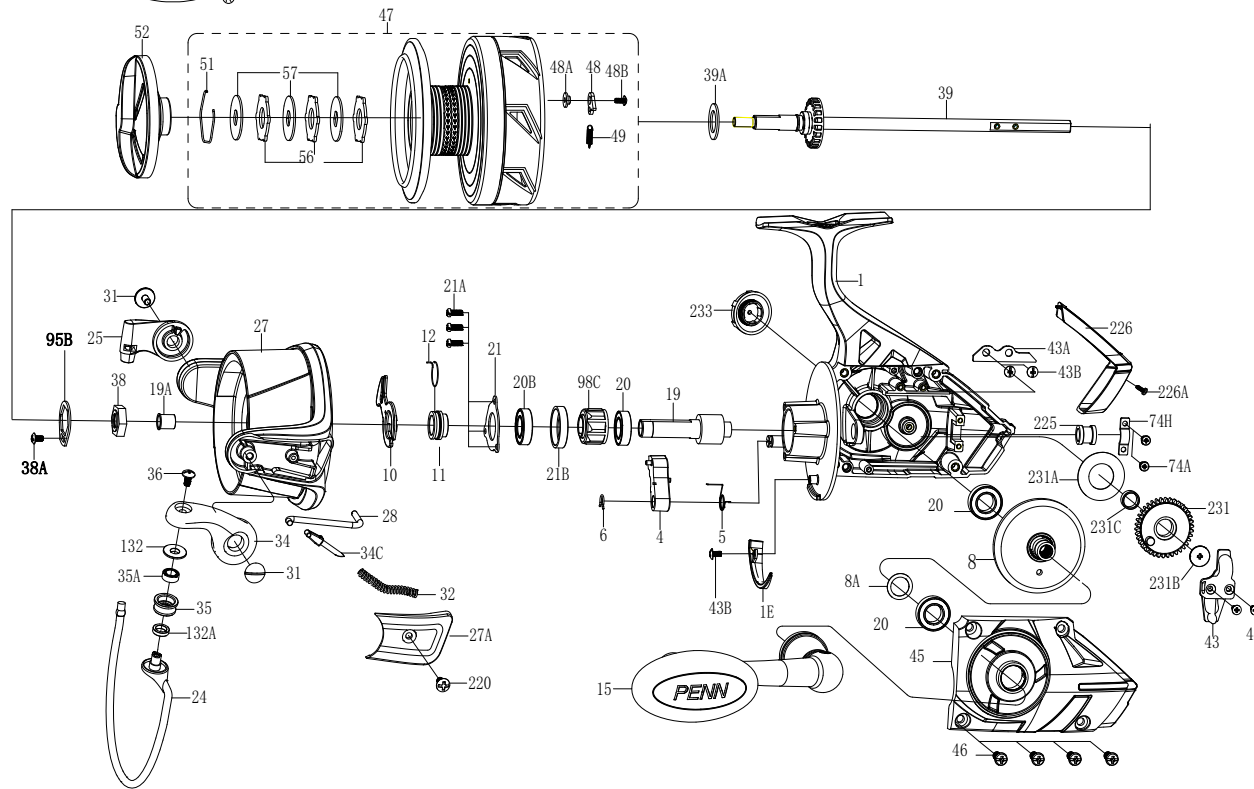




PARTS LIST FOR MODEL BTLIII10000



KEY NO.	PART NO.	PENN STYLE NO.	DESCRIPTION
21B	1529567	21B-BTLIII10000	Collar
22	1204018	22-6000PUR	Screw
24	1529568	24-BTLIII10000	Bail Wire Assembly
25	1529569	25-BTLIII10000	Bail Holder
27	1529570	27-BTLIII10000	Rotor
27A	1529571	27A-BTLIII10000	Bail Pivot Cover
28	1529572	28-BTLIII10000	Trip Lever
31	1365740	31-FRCII5000	Bail Arm Screw (2 req)
32	1313874	32-CFT8000	Bail Spring
34	1313875	34-CFT8000	Bail Arm
34C	1191656	34C-7000SG	Pivot Arm
35	1529573	35-BTLIII10000	Line Roller
35A	1242222	35A-5000BTL	Line Roller Bearing
36	1191566	31-2000SG	Bail Stud Screw
38	1529539	38-BTLIII8000	Rotor Nut
38A	1204016	21A-5000PUR	Holder Plate Screw(5 req)
39	1529574	39-BTLIII10000	Main Shaft Assembly
39A	1489320	39A-SSVI7500	Thrust Washer
43	1489359	43-SSVI9500	Crosswind Block
43A	1489360	43A-SSVI9500	Crosswind Block Plate
43B	1489213	43B-SSVI3500	Plate Screw (5 req)
44	1489361	44-SSVI9500	Crosswind Block Screw (2 req)
45	1529575	45-BTLIII10000	Housing Cover
46	1489363	46-SSVI9500	Housing Cover Screw (4 req)
47	1529576	47-BTLIII10000	Spool Assembly
48	1211625	48-5000SG	Click Tongue
48A	1211626	48A-5000SG	Click Tongue Washer
48B	1489327	48B-SSVI7500	Spool Click Screw
49	1211627	49-5000SG	Click Tongue Spring
51	1489328	51-SSVI7500	Drag Retaining Ring
52	1529577	52-BTLIII10000	Drag Knob Assembly
56	1308114	56-CFT5000	Drag Washer (3 req)
57	1489330	57-SSVI7500	Keyed Washer (3 req)
74A	1489316	38A-SSVI7500	Holder Plate Screw(2 req)
74H	1489366	74H-SSVI9500	Bushing Plate
95B	1308115	95B-CFT5000	Rotor Locking Plate
98C	1489332	98C-SSVI7500	Clutch/Sleeve Assembly
132	1529545	132-BTLIII8000	Roller Washer
132A	1489334	132A-SSVI7500	Line Roller Bushing
225	1529578	225-BTLIII10000	Shaft Bushing
226	1529579	226-BTLIII10000	Rear Cover
226A	1529386	226A-BTLIII3000	Rear Cover Screw
231	1489370	231-SSVI9500	Crosswind Gear
231A	1489371	231A-SSVI9500	Crosswind Gear Washer
231B	1489372	231B-SSVI9500	Crosswind Gear Screw
231C	1489373	231C-SSVI9500	Crosswind Gear Sleeve
233	1529496	233-BTLIII5000	Bearing Cover Assembly

KEY NO.	PART NO.	PENN STYLE NO.	DESCRIPTION
1	1529560	1-BTLIII10000	Housing Assembly
1E	1529561	1E-BTLIII10000	Housing Slope
4	1489377	4-SSVI9500	A/R Dog
5	1489378	5-SSVI9500	Dog Spring
6	1489379	6-SSVI9500	Retaining Clip
8	1529562	8-BTLIII10000	Main Gear
8A	1216652	8A-7000FRC	Shim
10	1489381	10-SSVI9500	A/R Holder
11	1529563	11-BTLIII10000	Bushing
12	1489296	12-SSVI7500	Bushing Spring
15	1529564	15-BTLIII10000	Handle Assembly
19	1529565	19-BTLIII10000	Pinion Gear
19A	1489299	19A-SSVI7500	Pinion Bushing
20	1489300	20-SSVI7500	Ball Bearing (3 req)
20B	1192621	20B-7000SG	Ball Bearing
21	1529566	21-BTLIII10000	Bearing Retainer
21A	1192645	21A-5000SG	Bearing Retainer Screw (3 req)

407-BTLIII10000 Rev. 0 8-28-2019

1518040