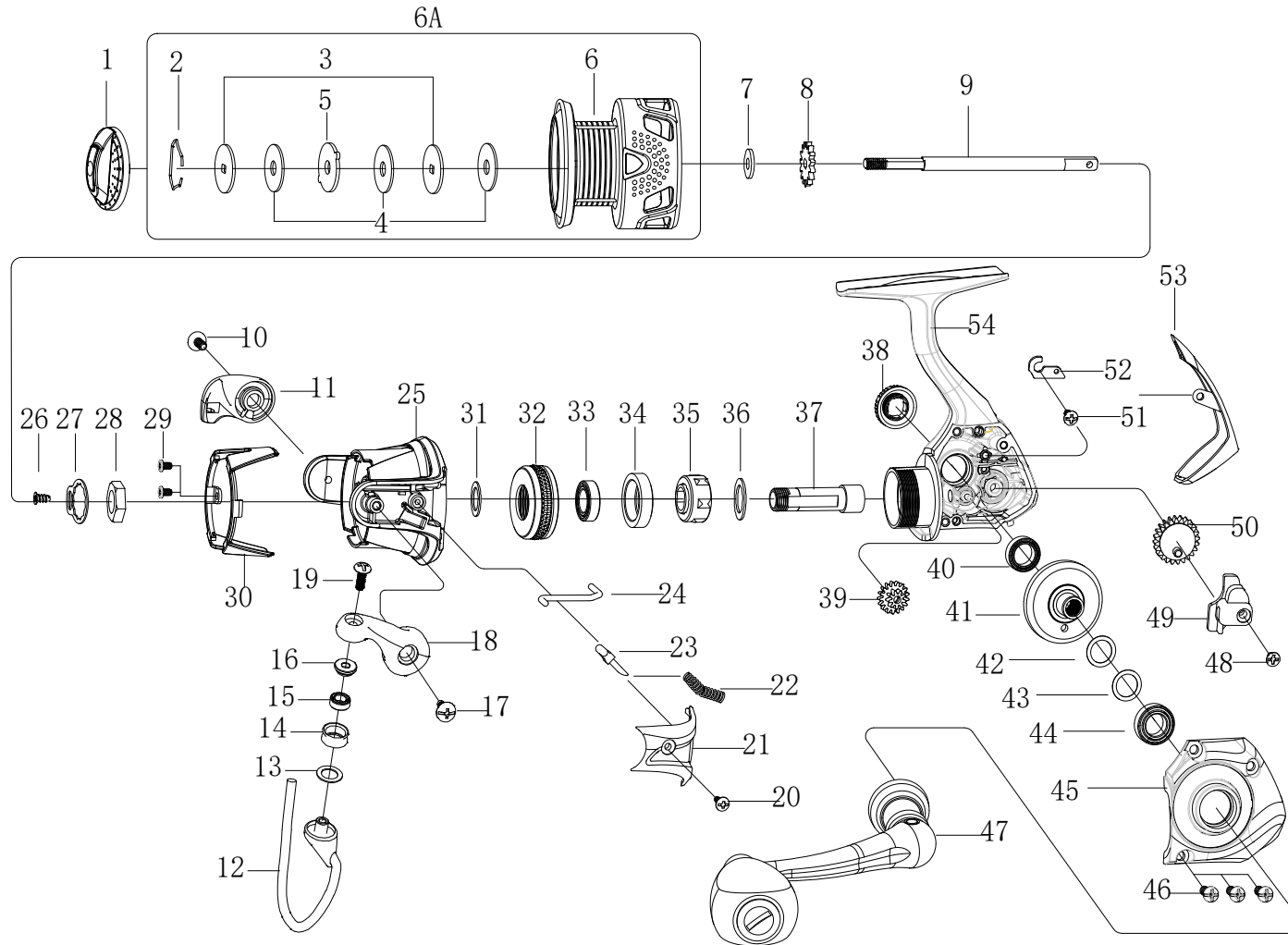




We are excited for you to experience the quality and craftsmanship of Pflueger trusted by anglers around the globe for over 100 years.

Take a few minutes to register your product for warranty; <https://register.pfluegerfishing.com/>



Pflueger President XT Spinning Reel PRESXT20

Please specify reel model number and number in reel foot when ordering parts.

ITEM	DESCRIPTION	SAP#	ITEM	DESCRIPTION	SAP#	ITEM	DESCRIPTION	SAP#
1	DRAG KNOB ASSY	1610908	19	SCREW	1206593	37	PINION GEAR	1610915
2	STOP RING	1207324	20	SCREW	1207332	38	DUST CAP	1610916
3	KEY WASHER	1205817	21	ROTOR COVER	1610871	39	TRANSFER GEAR	1610880
4	DRAG WASHER	1205818	22	BAIL SPRING	1207334	40	BEARING	1200811
5	EARED WASHER	1205879	23	BAIL ARM GUIDE	1207335	41	DRIVE GEAR	1610917
6	SPOOL SUB-ASSY	1610909	24	TRIP PLUNGER	1249027	42	GEAR WASHER	1200876
6A	SPOOL ASSY	1610910	25	ROTOR	1610913	43	GEAR WASHER	1200878
7	SHEET WASHER	1201817	26	SCREW	1516884	44	BEARING	1200874
8	CLICK GEAR	1201821	27	NUT RETAINER	1200795	45	BODY COVER ASSY	1610918
9	MAIN SHAFT	1448591	28	ROTOR NUT	1206595	46	SCREW	1205905
10	SCREW	1200777	29	SCREW	1516884	47	HANDLE ASSY	1610919
11	BAIL HOLDER	1610911	30	ROTOR SLEEVE	1610852	48	SCREW	1200819
12	BAIL WIRE ASSY	1610869	31	CLUTCH WASHER	1610873	49	O/S SLIDER	1448604
13	WASHER	1200780	32	NUT	1610874	50	O/S GEAR	1227338
14	LINE ROLLER	1200782	33	BEARING	1200814	51	SCREW	1205909
15	BEARING	1200781	34	BEARING SLEEVE	1610875	52	O/S SLIDER PLATE	1448605
16	LINE ROLLER COLLAR	1206591	35	ONE WAY CLUTCH	1610876	53	REAR COVER	1610883
17	SCREW	1200784	36	WASHER	1610877	54	BODY ASSY	1610920
18	BAIL ARM	1610912						