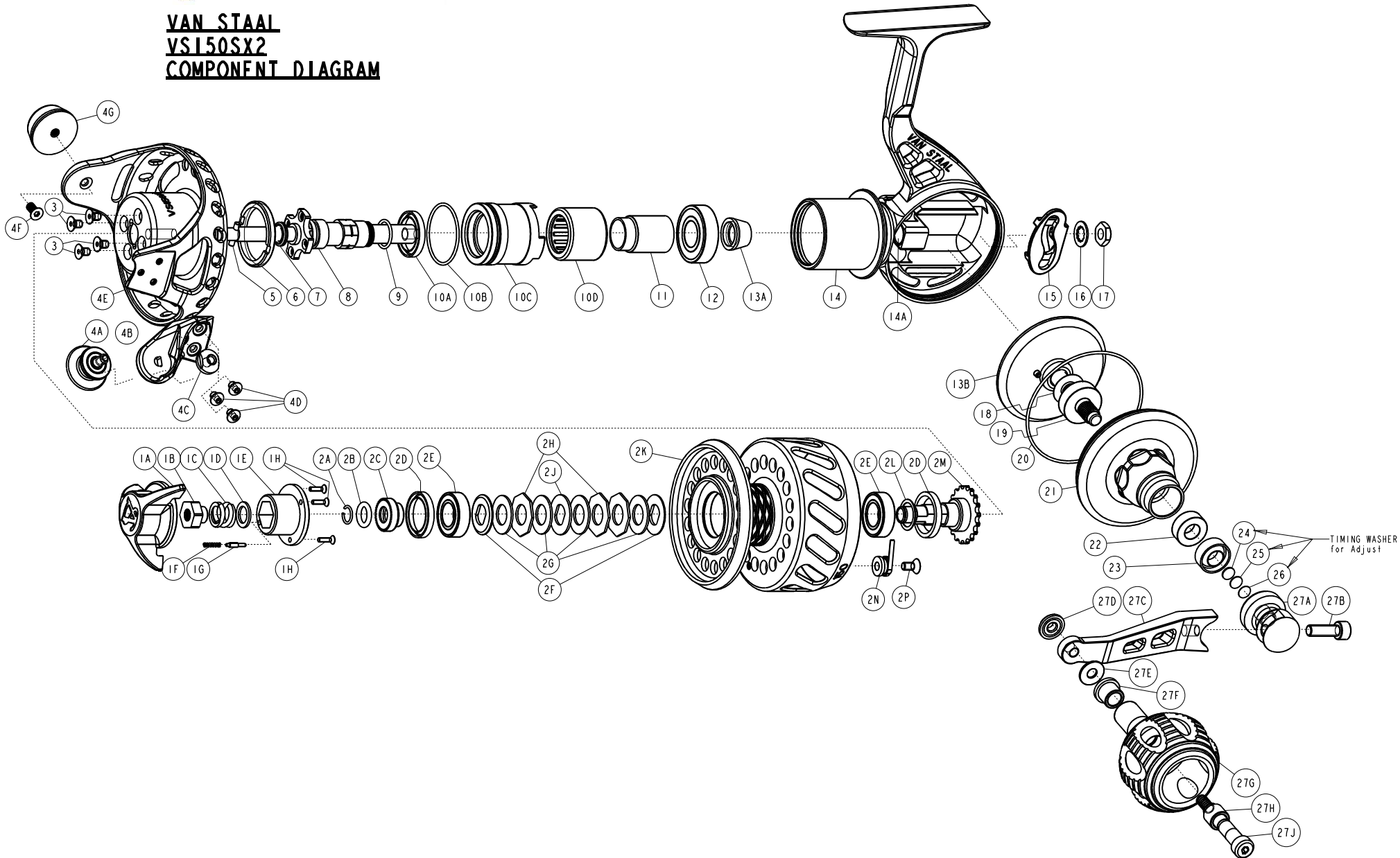




**VAN STAAL**  
**VS150SX2**  
**COMPONENT DIAGRAM**



## Van Staal VS150SX2 Part List

Key No.	Description	Part No.		Q'TY	Key No.	Description	Part No.		Q'TY	
		SAP#	VS150SX2				SAP#	VS150SX2		
1	Drag Knob Assembly (Kit)	1538692	VS41006-01	1	9	Spool Shaft Guide O-Ring	1535091	VS164-01	1	
1A	Drag Knob	1601326	VS1006-10	1	10	Clutch Housing Assembly	1564487	VSD4038-01	1	
1B	Drag Nut	1535082	VS1027-01	1	10A	Clutch Housing Cup Seal	1534532	OSPR6	1	
1C	Drag Spring	1535083	VS1054-01	1	10B	Clutch Housing O-Ring	1534524	ORR8	1	
1D	Drag Knob Washer	1538580	VS035-01	1	10C	Clutch Housing	1564488	(VSD038-01)	1	
1E	Drag Knob Cap	1535081	VS1026-01	1	10D	One Way Clutch	1535140	(VSB1090)	1	
1F	Drag Click Spring	1535069	VS049-01	1	11	One Way Clutch Sleeve	1564489	VSD139-01	1	
1G	Drag Click Pawl	1535089	VS149-01	1	12	Ball Bearing	1538473	DP058-02	1	
1H	Drag Knob Cap Screw	1534542	SCFH15	3	13	Gear Kit	1564514	VSD4312-01	1	
2	Spool Assembly (Kit)	1564432	VSD321-02	1	13A	Pinion Gear		(SR1011)	1	
2A	Retainer Ring	1534634	SR1041	1	13B	Main Gear Assembly		(VSD312-01)	1	
2B	Spool Retainer O-Ring	1534516	ORR10	1	14	Body Assembly	1564519	VSD301-02	1	
2C	Spool Retainer	1535137	VSB1024-B	1	14A	Body Bushing	1534618	SR1016-02	1	
2D	Cup Seal	1534522	OSPR6	2	15	Travers Guide (O/S Slider)	1535080	VS1017-01	1	
2E	Ball Bearing	1538474	CP058-03	2	16	Internal Teeth Lock Washer	1535239	WSLCIT1	1	
2F	Drag "D" Washer - Chamfered	1534630	SR1036	2	17	Spool Shaft Hex Nut	1534511	NTHX1	1	
2G	Drag Disc	1534632	SR1038-1	4	18	Shim Washer - 0.002	1538529	SR1175	1	
2H	Drag Key Washer - Octagon	1534633	SR1039	2 (3)		Shim Washer - 0.005	1538530	SR1275	1	
2J	Drag "D" Washer	1534631	SR1037	1		Shim Washer - 0.010	1534648	SR1375	1	
2K	Spool	1564439	VSD021-02	1	19	Drive Gear Ball Bearing	1534398	BGRS12-B	1	
2L	Compensation Washer	1534643	SR1076	1	20	Body Cover O-Ring	1534525	ORR9	1	
2M	Spool Hub	1535139	VSB1040	1	21	Body Cover	1564505	VSD023-02	1	
2N	Clicker Sub Assembly	1538523	SR1058-1	1	22	Body Cover Ball Bearing	1534403	BGRS90	1	
2P	Flat Socket Head Screw	1534543	SCFH2	1	23	Body Cup Seal	1534531	OSPR5	1	
3	Rotor Screw	1534547	SCFH6	4	24	Timing Washer 0.5	1543246	DA082-02	1	
4	Rotor Assembly (Kit)	1613091	VSD4009-04	1	25	Timing Washer 0.3	1543247	DA082-03	1	
4A	Line Roller Assembly	1534858	SR3020-1	1	26	Timing Washer 0.1	1543248	DA082-04	1	
4B	Line Roller Bracket	1613119	VSD007-05	1	27	Handle Assembly (Kit)	1564506	VSD318-02	1	
4C	Line Roller Spindle Nut	1534862	SR3028P	1		27A	Handle Hub (Stand)	1534617	SR1014S	1
4D	Line Roller Bracket Screw	1534539	SCBH1	3		27B	Handle Screw	1534548	SCSHC8	1
4E	Rotor	1613106	VSD009-04	1		27C	Handle Arm	1564507	VSD018-02	1
4F	Counter Weight Screw	1535020	VR057-02	1		27D	Handle Knob Bolt Nut	1534640	SR1060P	1
4G	Counter Weight	1582132	VSD017-01	1		27E	Handle Washer	1534644	SR1078	1
5	Spool Shaft Assembly	1564512	VSD315-01	1		27F	Handle Knob Bushing - Flanged	1534629	SR1030	1
6	Lock Ring	1564450	VSD122-01	1		27G	Power Grip Handle Knob	1596759	SR1208-03	1
7	Quad Seal	1534515	ORQ3	1		27H	Handle Knob Bushing - Plain	1534628	SR1029	1
8	Spool Shaft Guide	1564513	VSD075-01	1		27J	Handle Knob Spindle	1535135	VSB1020-02	1